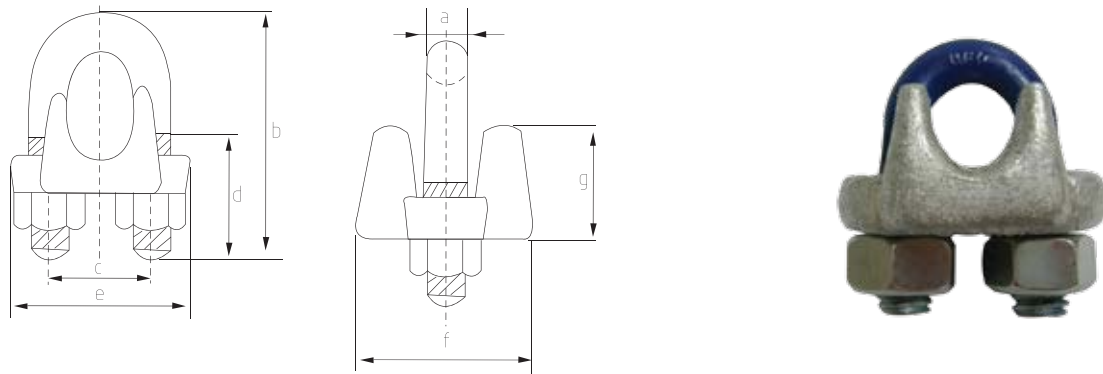


Wire Rope Slings and Fittings

4100 - Wire Rope Clip



Description:

- Wire rope clips are used on wire rope eye connections when socketing or mechanical splicing is not feasible or when a temporary joint is required.

Standard: Conforming to federal specification FF – C 450 type 1 class 1.

Material: Forged carbon steel

Finish: Hot dip galvanised

Galvanised Drop Forged Wire Rope Clip

Part No.	a (mm)	b (mm)	c (mm)	d (mm)	e (mm)	f (mm)	g (mm)	Torque (Nm)	Min. No. of clips	Net weight (Kg)
4100.0006	8	34	19	13	37	30	17	20.3	2	0.09
4100.0008	10	45	22	19	43	33	18	40.7	3	0.13
4100.0010	11	49	26	19	49	42	25	61	3	0.2
4100.0013	13	61	30	26	58	48	27	88	3	0.33
4100.0016	14	74	33	32	64	52	33	129	3	0.46
4100.0019	16	86	38	37	72	57	37	176	4	0.68
4100.0022	19	98	45	40	80	62	40	305	4	0.96
4100.0026	19	108	48	46	88	67	44	305	5	1.18
4100.0028	19	117	51	51	91	72	48	305	6	1.28
4100.0032	22	130	59	54	105	79	56	488	7	1.9
4100.0036	22	140	60	59	108	79	58	488	7	2
4100.0038	22	147	66	60	112	86	64	488	8	2.35
4100.0042	22	161	70	67	121	92	67	583	8	3.1
4100.0044	29	175	78	74	134	97	78	800	8	4.2
4100.0052	32	195	86	78	152	113	87	1017	8	5.8
4100.0056	32	208	98	81	162	116	100	1017	8	7.3
4100.0064	32	227	105	87	168	119	113	1017	9	8.25
4100.0070	32	243	112	91	174	127	124	1017	10	10.5
4100.0076	38	271	121	104	194	135	136	1627	10	14.2
4100.0088	38	311	140	114	213	157	152	1627	12	18.1