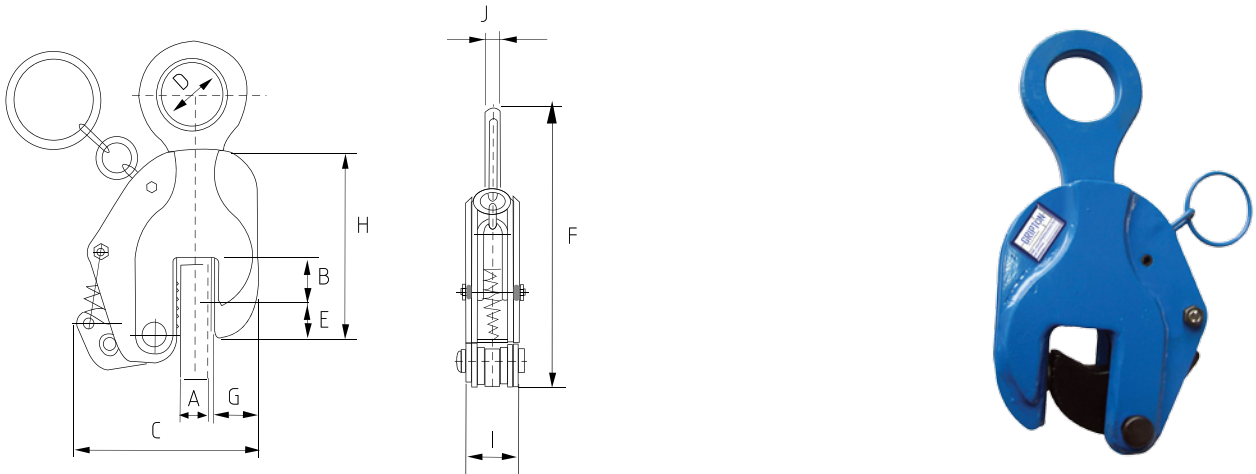


General Lifting Gear

9030 - Vertical clamp



Description:

- Designed for vertical plate lifting
- Positive grip with locking mechanism
- CE, Traceability code, WLL, Jaw opening & GRIPTON mentioned in label

Standard: EN 12195

Material: Cam: Alloy steel, Body: Carbon steel

Factor of safety: 4 to 1

Construction: Quenched & tempered

Proof load: Individually proof tested to 2 times of working load limit

Finish: Powder coated

Vertical plate lifting clamp

Part No.	WLL (T)	Jaw opening (mm)	A (mm)	B (mm)	C (mm)	D (mm)	E (mm)	F (mm)	G (mm)	H (mm)	I (mm)	J (mm)	Net weight (Kg)
9030.0010	1	0 - 22	24	33	125	50	24	220 - 260	30	156	54	14	3.6
9030.0020	2	0 - 30	39	45	155	55	30	250 - 295	36	175	60	16	5.5
9030.0030	3	0 - 40	46	49	182	50	36	296 - 360	40	220	72	18	10
9030.0050	5	0 - 50	55	55	222	60	45	350 - 420	60	270	76	18	17
9030.0080	8	0 - 60	70	60	240	65	40	450 - 510	66	275	90	22	26
9030.0100	10	0 - 80	95	75	285	80	45	470 - 590	70	330	95	25	32
9030.0120	12	0 - 90	100	125	360	80	30	500 - 600	90	360	110	25	48