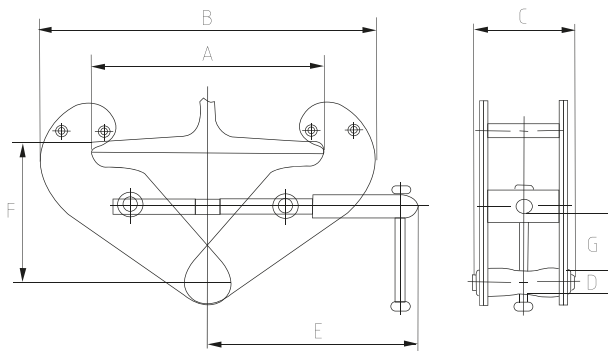


General Lifting Gear

9050 - Beam clamp



Description:

- Simple and safe attachment point
- Can be attached easily and quickly without the use of any tools
- This clamp provides a suspension point for other lifting gears
- CE, Traceability code, GRIPTON, Jaw opening & WLL mentioned on label

Standard: EN 12195

Material: Carbon steel

Factor of safety: 4 to 1

Construction: Quenched & tempered

Proof load: Individually proof tested to 1.5 time of working load limit

Finish: Powder coated

Beam clamp												
Part No..	WLL (T)	I beam width range (mm)	A (max) (mm)	B (min) (mm)	B (max) (mm)	C (mm)	E (mm)	F (min) (mm)	F (max) (mm)	G (min) (mm)	D (mm)	Net weight (Kg)
9050.0010	1	75 - 230	284	180	375	4	220	102	160	29	20	4
9050.0020	2	75 - 230	284	180	375	6	220	102	160	28	22	5
9050.0030	3	80 - 320	365	220	498	8	271	168	240	60	24	9
9050.0050	5	90 - 320	365	220	498	10	271	168	240	57	30	11
9050.0100	10	90 - 320	356	250	514	12	280	172	242	55	40	18