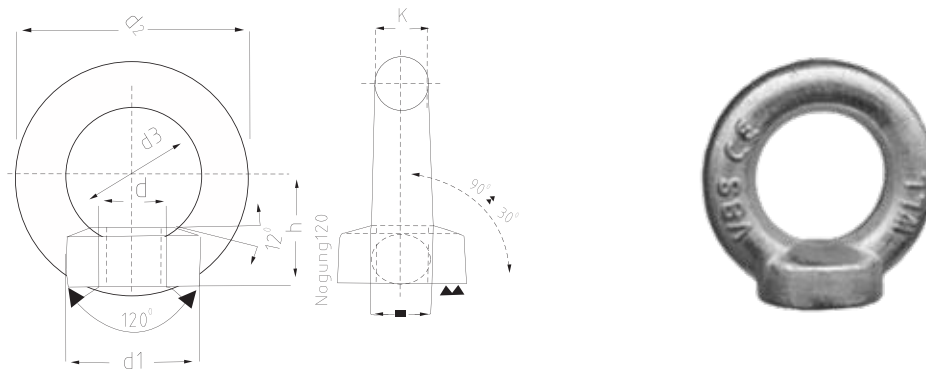


Eye Nuts

EY00 - Eye Nuts (Shoulder Type Machinery Eynuts)

Eye Bolts & Eye Nuts are manufactured to provide reliable lifting points in various applications. They are forged from high grade steel and are quenched and tempered to greatly improve strength and lifespan. Both EN series Eye Nuts & ES series Eye Bolts are available.



Eye Nut DIN 582 Self-color or Zinc Plated								
Part No.	Size d	WLL (ton.)	Weight per 100pcs (kg)	Dimensions (mm)				
				d 1	d 2	d 3	h	k
EY00.0006	M6	0.08	4.5	20	36	20	18	8
EY00.0008	M8	0.14	5.0	20	36	20	18	8
EY00.0010	M10	0.23	9.0	25	45	25	22.5	10
EY00.0012	M12	0.34	16.0	30	54	30	26	12
EY00.0014	M14	0.49	24.0	35	63	35	30.5	14
EY00.0016	M16	0.7	24.0	35	63	35	30.5	14
EY00.0018	M18	0.93	36.0	40	72	40	35	16
EY00.0020	M20	1.2	36.0	40	72	40	35	16
EY00.0022	M22	1.5	58.0	45	81	45	40	18
EY00.0024	M24	1.8	72.0	50	90	50	45	20
EY00.0027	M27	2.5	70.0	50	90	50	45	20
EY00.0030	M30	3.6	132.0	65	108	60	55	24
EY00.0033	M33	4.3	130.0	65	108	60	55	24
EY00.0036	M36	5.1	208.0	75	126	70	65	28